

NetaJet Direct Injection Dosing Systems:

The Next Generation of Reliable, Durable Dosing



Netafim's next-generation dosing systems meet the most demanding modern irrigation and fertilization needs. Netafim's unique hydro-mix technology, together with dosing channels based on a precise, efficient Venturi injector with no moving parts, assures reliability and system longevity.

For control, the NetaJet systems employ unique quick action valves developed specially for the chemical industry. EC/pH measurement and control is standard on all systems.

Comprehensive, Reliable Solutions

Netafim's NetaJet dosing systems are based on the highest quality components, combining sophisticated hydro-technology with advanced, simple and reliable process control. NetaJet dosing systems are supplied as a standard with Netafim's NMC-64 controller.

The NMC-64 is a simple and reliable process controller featuring:

- Large graphics - LCD 16x40 characters
- 15 irrigation programs by quantity or time
- Up to 60 irrigation valve programs, with flow control
- Flow control (high and low flow, uncontrolled water flow)
- Up to 5 dosing channels, optionally with fertilizer meters
- Fertilization by quantity, time, ratio (L/M3) and EC/pH
- Filter flushing
- Cooling program
- Misting program
- History of water and fertigation quantities
- Fault and event list registration
- PC communication and HMI
- Outputs & inputs test



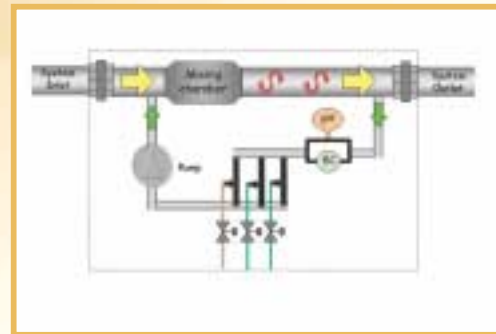
Two Quality Systems to Choose From

Netafim offers two different NetaJet dosing systems, allowing growers the freedom to choose the system best suited to their unique needs.

NetaJet Inline

Designed to provide fast and accurate fertilizer and acid control, the NetaJet Inline is suitable for flow rates of 5-20m³/h. Each dosing channel is equipped with a visual flow meter and can deliver 30-300 l/h of fertilizer or acid.

EC/pH measurement and control is standard on all systems.

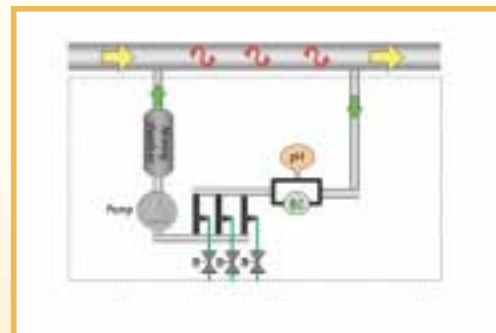


NetaJet Inline

NetaJet Bypass

Designed to provide accurate fertilizer and acid control with minimum expenses and intervention, the NetaJet Bypass is suitable for flow rates of 20-100m³/h. Each dosing channel is equipped with a visual flow meter and can deliver 30-300 l/h of fertilizer or acid.

EC/pH measurement and control is standard on all systems.



NetaJet Bypass